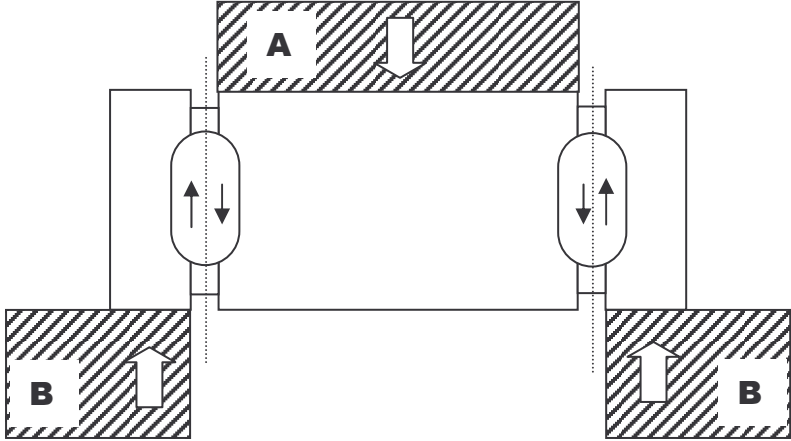
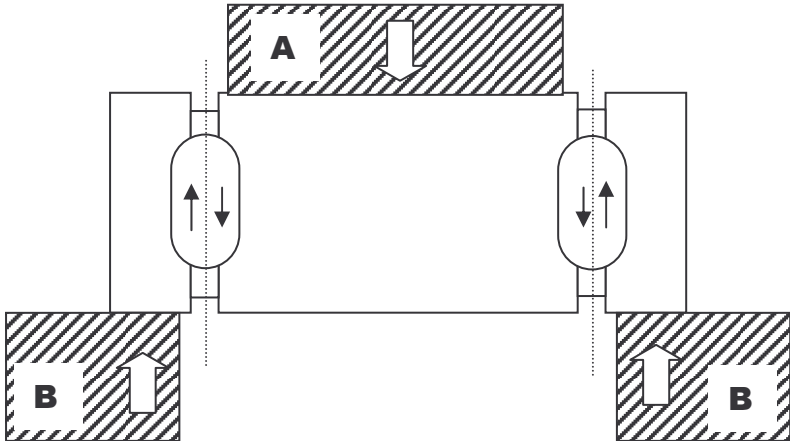
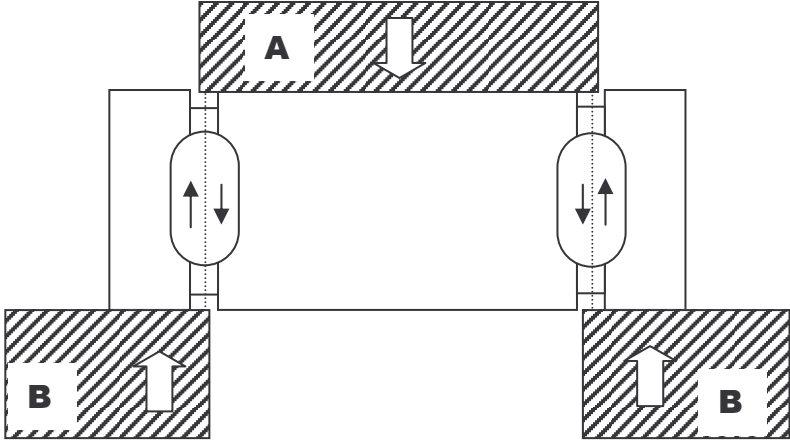


Mounting condition load pin double shear

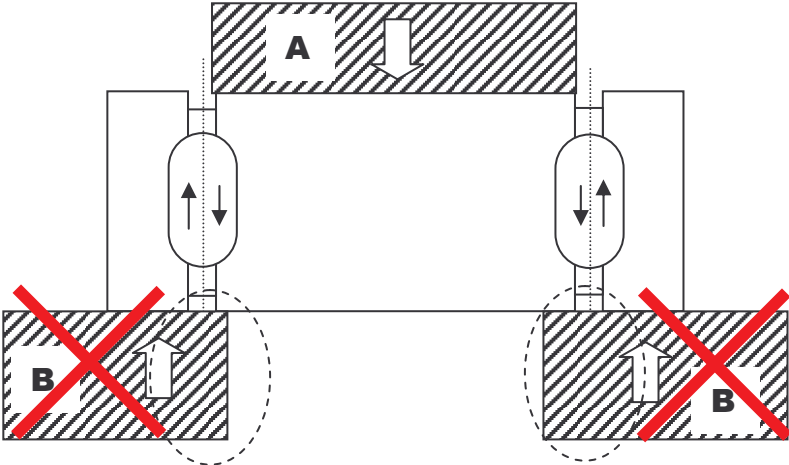
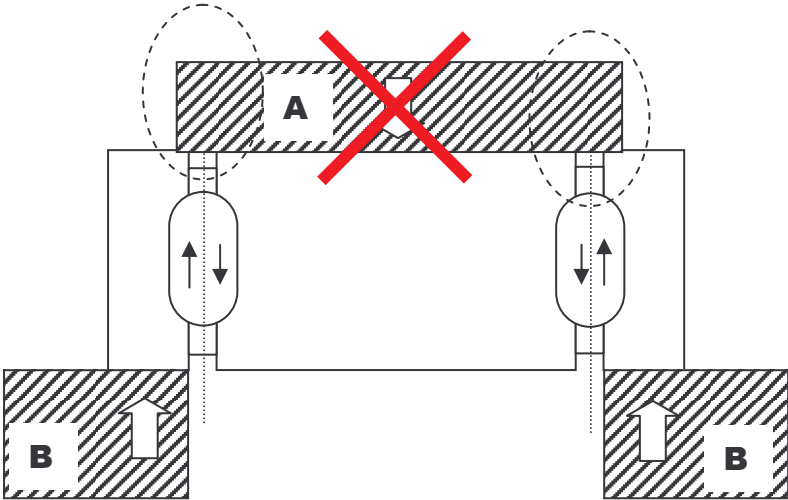
OK



↓↑ Shear zone

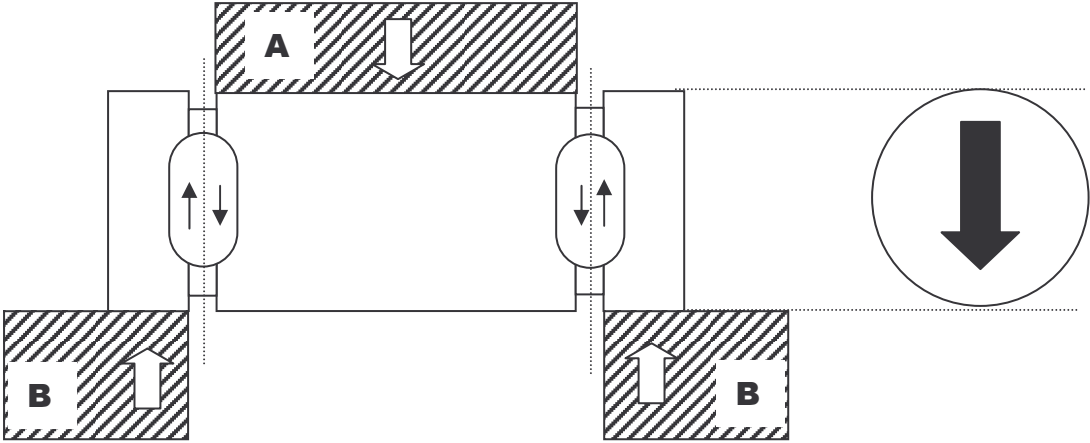


NOT OK

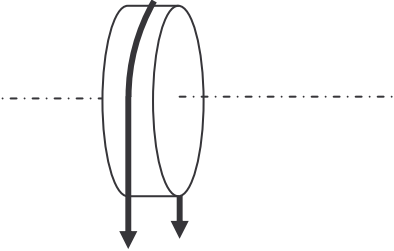


Oriëntation of load pin

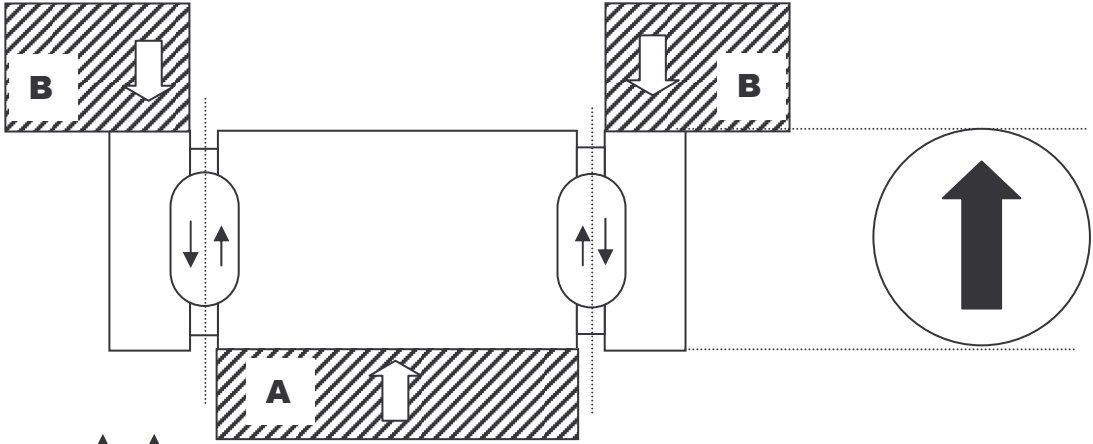
A) down force on middle part of load pin



e.g.



b) up force on middle part of the load pin



e.g.

